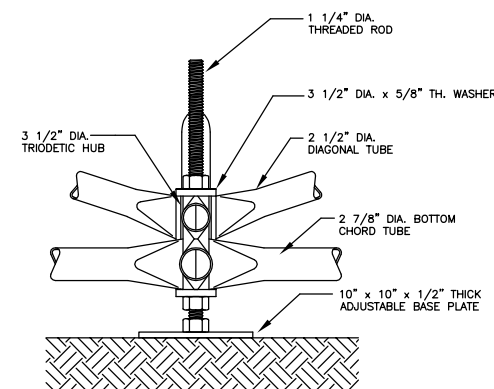
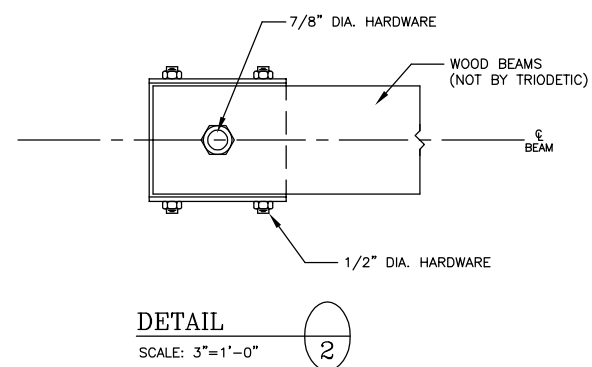
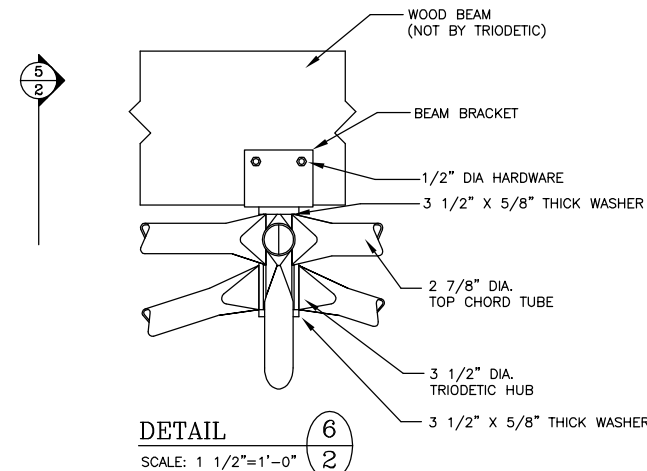
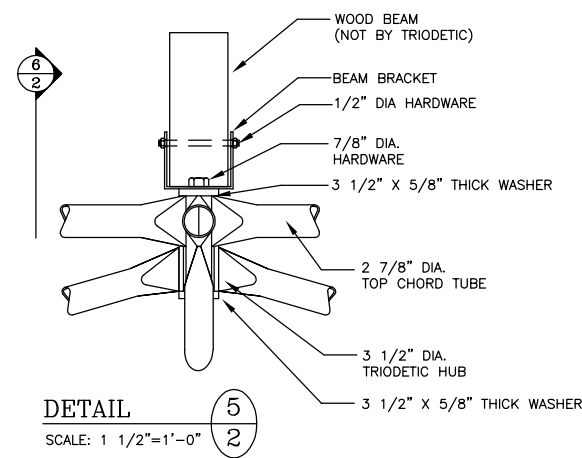
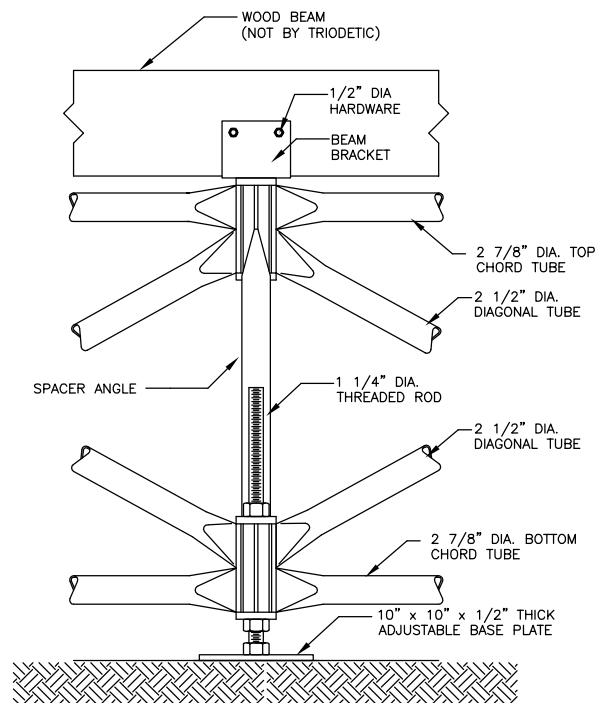
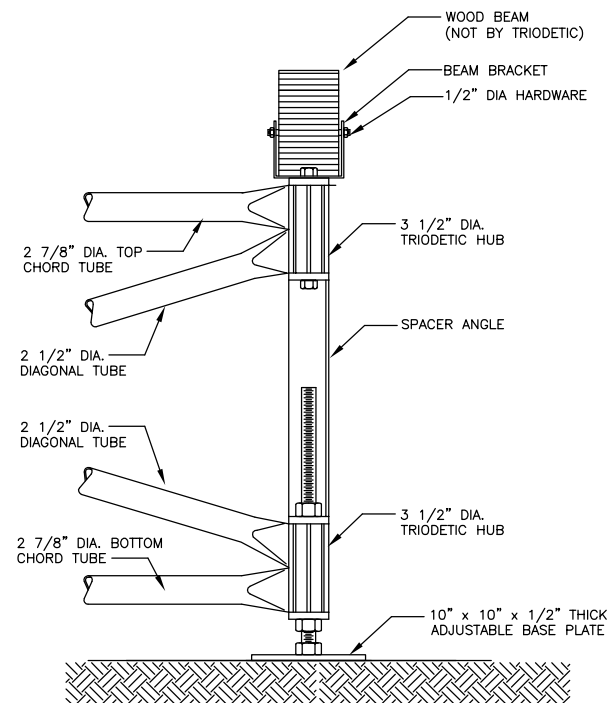


SECTION 8/2
SCALE: 3/8"=1'-0"



TRIODETIC INC.
PAT. CANADA, U.S.A., AUSTRALIA, BELGIUM & OTHER FOREIGN COUNTRIES. ADDITIONAL PATENTS PENDING.
TRIODETIC INC. CANADA, U.S.A., AUSTRALIA, BELGIUM & OTHER FOREIGN COUNTRIES. ADDITIONAL PATENTS PENDING.
PHONE: 613-823-3434
FAX: 613-823-3434
EMAIL: info@triodetic.com

NO.	BY	DATE	REVISION
1	ML	00/00/00	FOR APPROVAL

ARCHITECT: _____
ENGINEER: _____
CONTRACTOR: MIMACK
DWG. BY: MIKE LONDON
CK'D BY: MIKE LONDON
DATE: DEC 17, 2019



**OXFORD HOUSE PROTOTYPE
MULTIPOINT FOUNDATION**

DWG. No.	REV.
S1	-